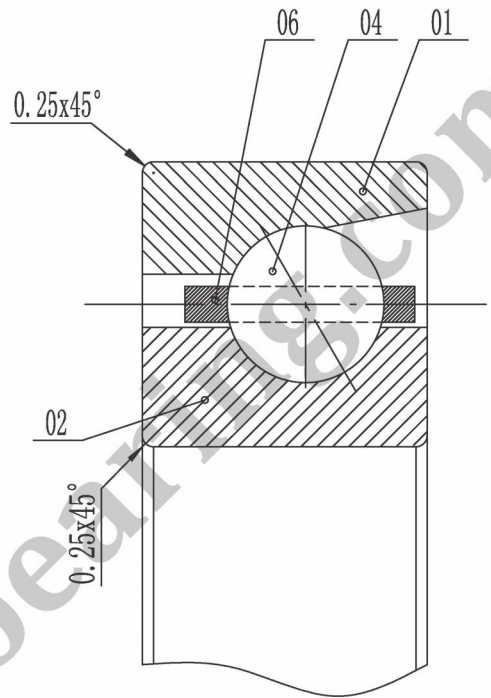


I enlarged view



KAYDON THIN SECTION BEARING

Formal drawing of S03503AS0 will be submitted after contact with:

sales@jcb-bearing.com or sales@thinsectionbearings.com

06	cage		Helical coil spring			
04	steel ball		AISI 440C Stainless Steel			
02	inner ring	1	AISI 440C Stainless Steel			
01	outer ring	1	AISI 440C Stainless Steel			
No.	designation	qty	material	unit	total	remark
				weight (kg)		

Luoyang JCB Bearing Technology Co., Ltd
 Contact information
 Company Address : No.285 Fenghua road, Luoyang, Henan,China.
 Postal code : 471000
 Phone : 0086-379-68611678 Fax : 0086-379-68611679
 E-mail: sales@jcb-bearing.com
 Reserved E-mail: sales@thinsectionbearings.com
 Website: <http://www.jcb-bearing.com>
<https://www.thinsectionbearings.com>

S03503AS0

			weight(kg)	
			5	—
total page 1			page 1	